



# DEEP CYCLE AGM TECHNOLOGY

## LDC12-115-G31-T BCIGROUP 31

### FEATURES & BENEFITS

- True deep cycle AGM technology-GREEN SOLUTION
- Over 99.99% virgin lead for grid plate and active material
- Heavy duty grid/paste design for deep cycle application
- Maintenance free, non-spillable, valve-regulated
- Double separator configuration: long cycle life & High energy density and super anti-vibration design
- Low self-discharge for longer shelf life



### ELECTRICAL SPECIFICATIONS

| Voltage(V) | Capacity (AH) |      |      |     |     | Reserve Capacity (Min) |      |      |
|------------|---------------|------|------|-----|-----|------------------------|------|------|
|            | 100HR         | 20HR | 10HR | 5HR | 3HR | @25A                   | @56A | @75A |
| 12         | 130           | 118  | 113  | 107 | 98  | 239                    | 95   | 65   |

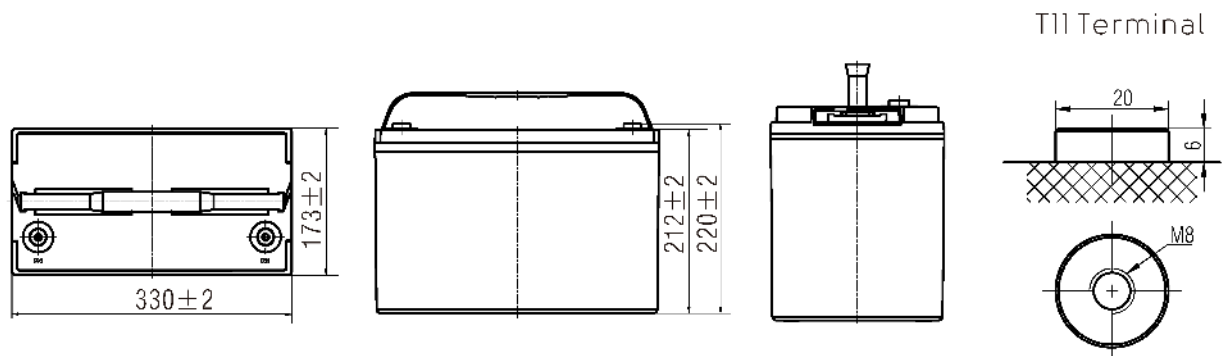
### PHYSICAL SPECIFICATIONS

| Model           | Dimensions (mm/inches) |            |            |              | Weight (kg/lbs) | Terminal Type (Standard) | Case Material |
|-----------------|------------------------|------------|------------|--------------|-----------------|--------------------------|---------------|
|                 | Length                 | Width      | Height     | Total Height |                 |                          |               |
| LDC12-115-G31-T | 330 (12.99)            | 173 (6.81) | 212 (8.35) | 220 (8.66)   | 31.3 (69.0)     | T11                      | ABS           |

| Operating Temperature Range |                           |                            |
|-----------------------------|---------------------------|----------------------------|
| Discharge                   | Charge                    | Storage                    |
| -15°C ~ 50°C (5°F ~ 122°F)  | 0°C ~ 40°C (32°F ~ 104°F) | -15°C ~ 40°C (5°F ~ 104°F) |

# LDC12-115-G31-T

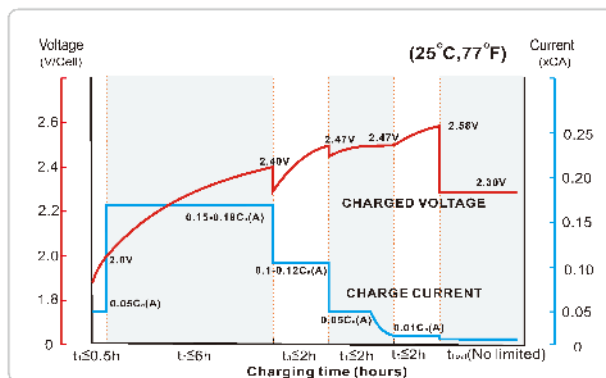
## DIMENSIONS



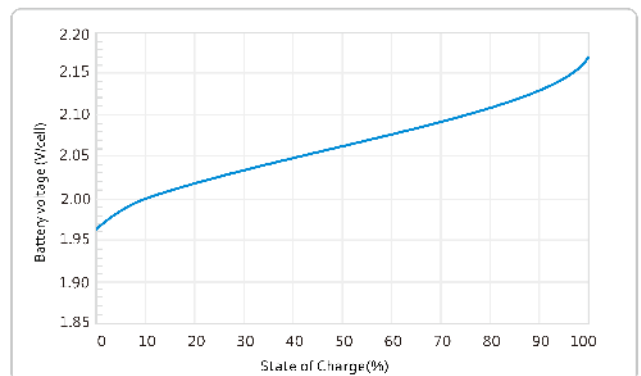
Note: Terminal Torque Values in -lb(Nm) : 97.28-130.0(11-14.7)

## PERFORMANCE CHARACTERISTICS

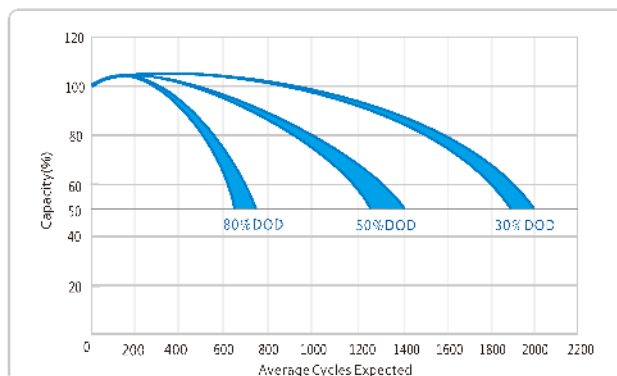
### LEOCH LDC AGM Charging Profile



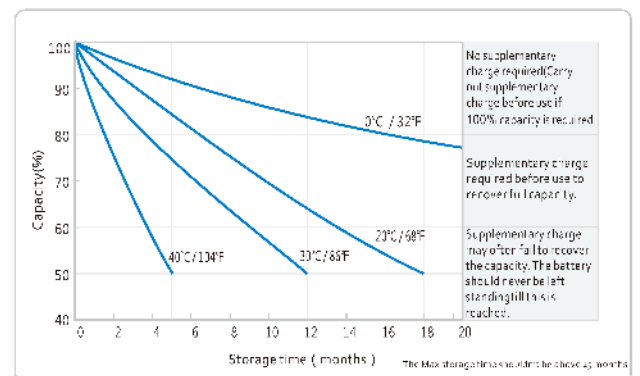
### Relationship of OCV and State Of Charge (25°C, 77°F)



### Cycle life in relation to Depth Of Discharge



### Self-discharge Characteristic



● LEOCH INTERNATIONAL SALES OFFICE:  
 Add: 5th Floor, Xinbaohui Bldg.  
 Nanshai Blvd, Nanshan, Shenzhen, China, 518054  
 Tel: +86-755-86036060(100 lines) Fax: +86-755-26067269  
 E-mail: export@leoch.com  
 web: www.leoch.com

© 2018 LEOCH. All rights reserved. Trademarks and logos are the property of LEOCH and its affiliates unless otherwise noted. Subject to revisions without prior notice.

Publication No: LB-LDC-PD-EN-V1.0-201807